

To the Fitter

Check that the product is suitable for the intended application. Follow the installation instructions and ensure the the operating instructions are passed on to the end user,

To the User

Read the following instructions carefully.

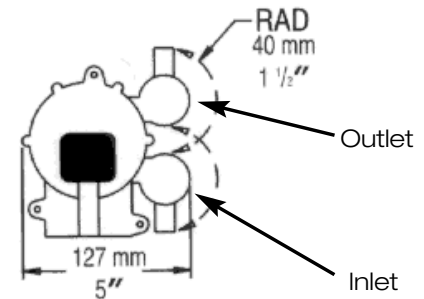
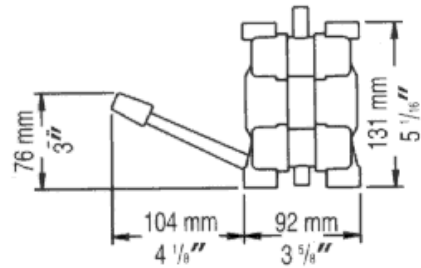
Application & Specification

This product is designed for use as a freshwater and saltwater foot pump in caravans and boats. Use for any other purpose or with any other liquid is not recommended and is entirely at the at the user's risk.

The Whale Gusher Galley can be used as a manual back-up with an electric pump provided that:

1. It is not a pressurised system.
2. It is placed between the inline electric pump and the water supply.

Gusher Galley Mk 3 GP0550 / GP0551



Right Hand Version

flow, gently for controlled flow.

Maintenance

Regular inspection of valves and seals is recommended with cleaning and replacement of components as necessary.

Service kit AK0553 is available from dealers.

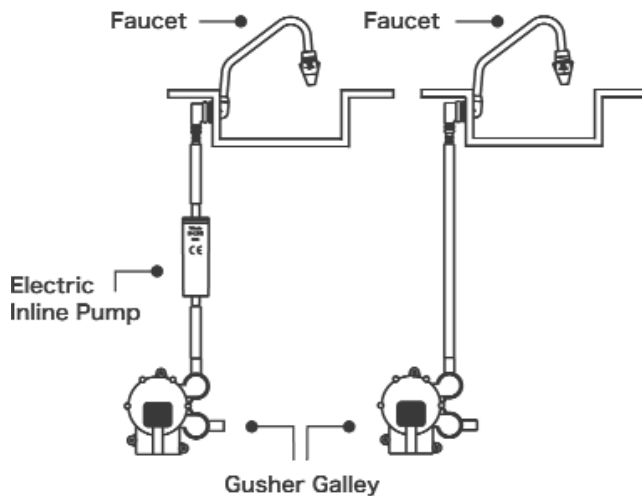
Note: For winter storage. ensure that the pump is drained completely to avoid frost damage.

Helpful Hints

- a) The pump can be serviced using Service Kit AK0553 which contains the complete set of serviceable parts for the Mk3 Gusher galley.
- b) If the pump will not pump:
 - check that the suction line is in the water
 - check that the hose connections are secure and there are no air leaks
 - check the rubber components in the pump, they may need to be replaced
 - if the outlet is an on/off faucet or tap, make sure that it is open to allow water to flow

Warranty

This Whale product is covered by 5 years warranty. Please see the enclosed document for details of our statement of limited warranty.

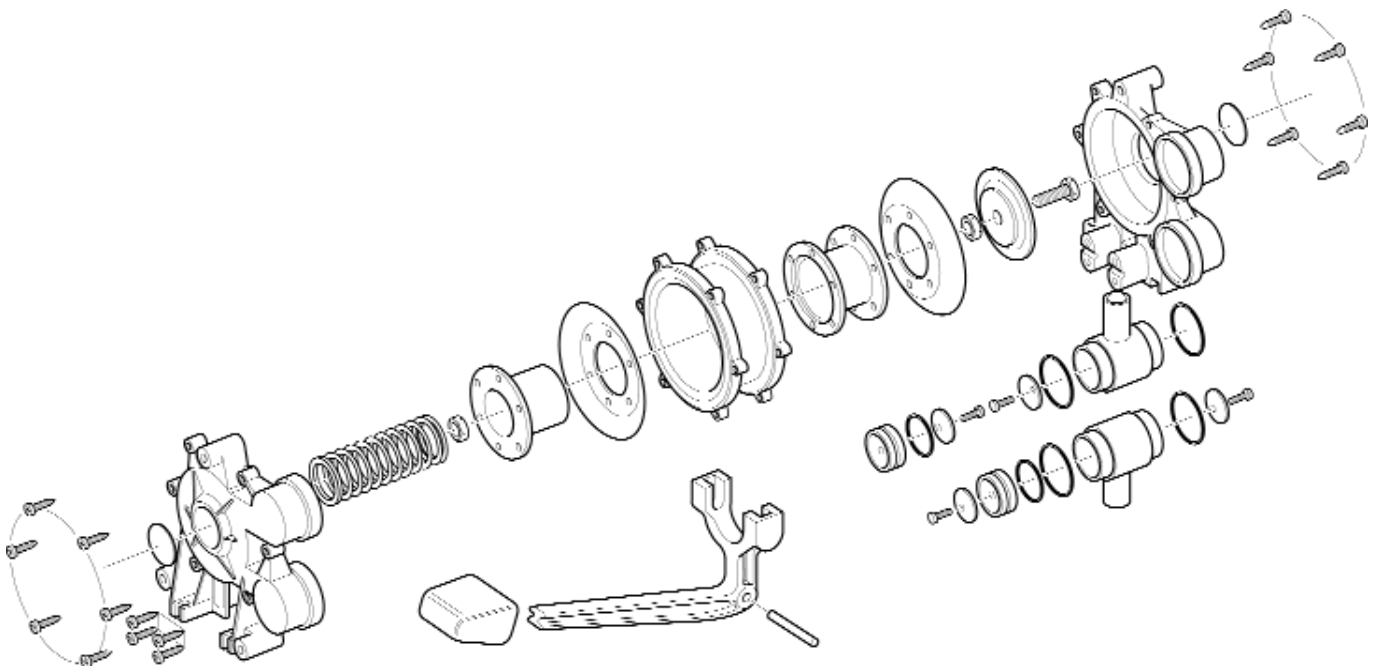


Installation

Choose an installation where the pump can be operated comfortably.

Operation

1. Read carefully before installation and use.
2. Pump up and down with your foot; vigorously for full



Munster Simms Engineering Ltd.

Old Belfast Road, Bangor, N. Ireland BT19 1LT Tel: +44 (0)28 9127 0531 Fax: +44 (0)28 9146 6421

Web: www.whalepumps.com Email: info@whalepumps.com

