



Stainless Steel Ball Bearing

Shielded, Trade No. 693-2Z, for 3 mm Shaft Diameter

\$8.60 Each
7804K126



Bearing Trade Number	693-2Z
Bearing Type	Ball
For Load Direction	Radial
Construction	Single Row
Seal Type	Shielded
Inner Ring Type	Standard
Ball Bearing Type	Standard
For Shaft Type	Round
For Shaft Diameter	3mm
ID	3mm
ID Tolerance	-0.005mm to 0mm
For Housing ID	8mm
OD	8mm
OD Tolerance	-0.005mm to 0mm
Width	4mm
Width Tolerance	-0.025mm to 0mm
Ring Material	440C Stainless Steel
Ball Material	440C Stainless Steel
Cage Material	400 Series Stainless Steel
Shield Material	300 Series Stainless Steel
Radial Load Capacity, lbs.	
Dynamic	120
Static	35
Maximum Speed	67,000 rpm
Lubrication	Lubricated
Lubricant	Oil
Shaft Mount Type	Press Fit
Temperature Range	-40° to 240° F
ABEC Rating	ABEC-5
Radial Clearance Trade No.	MC3
Radial Clearance	0.005mm to 0.01mm
RoHS	RoHS 3 (2015/863/EU) Compliant
REACH	REACH (EC 1907/2006) (01/19/2021, 211 SVHC) Compliant
DFARS	Specialty Metals COTS-Exempt
Country of Origin	Japan, Malaysia, Peoples Republic Of China, or Thailand

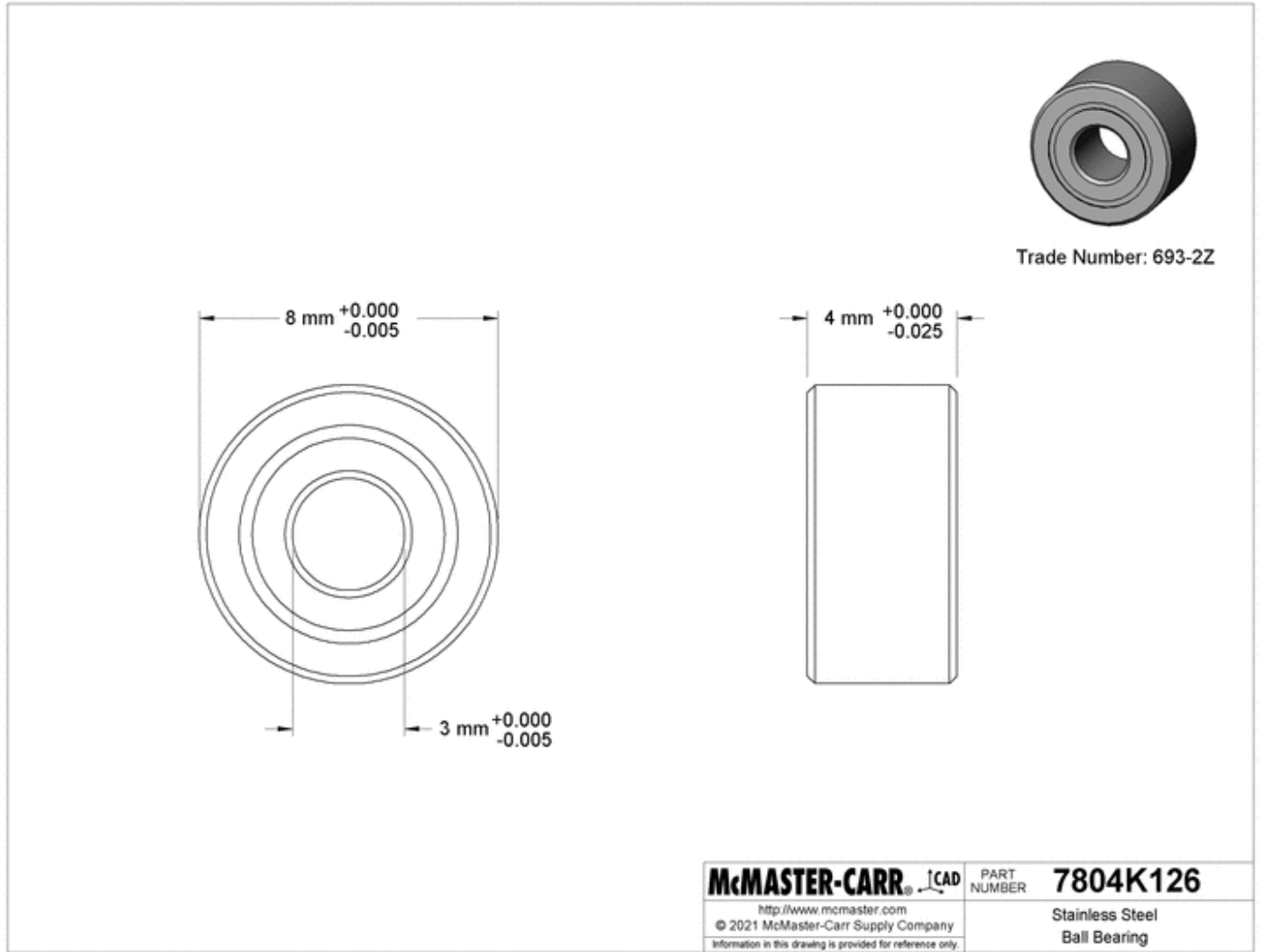
Schedule B

848210.5036

ECCN

1C999

Shielded bearings block out dust and other contaminants, but do not dissipate heat as efficiently as open bearings.



The information in this 3-D model is provided for reference only.