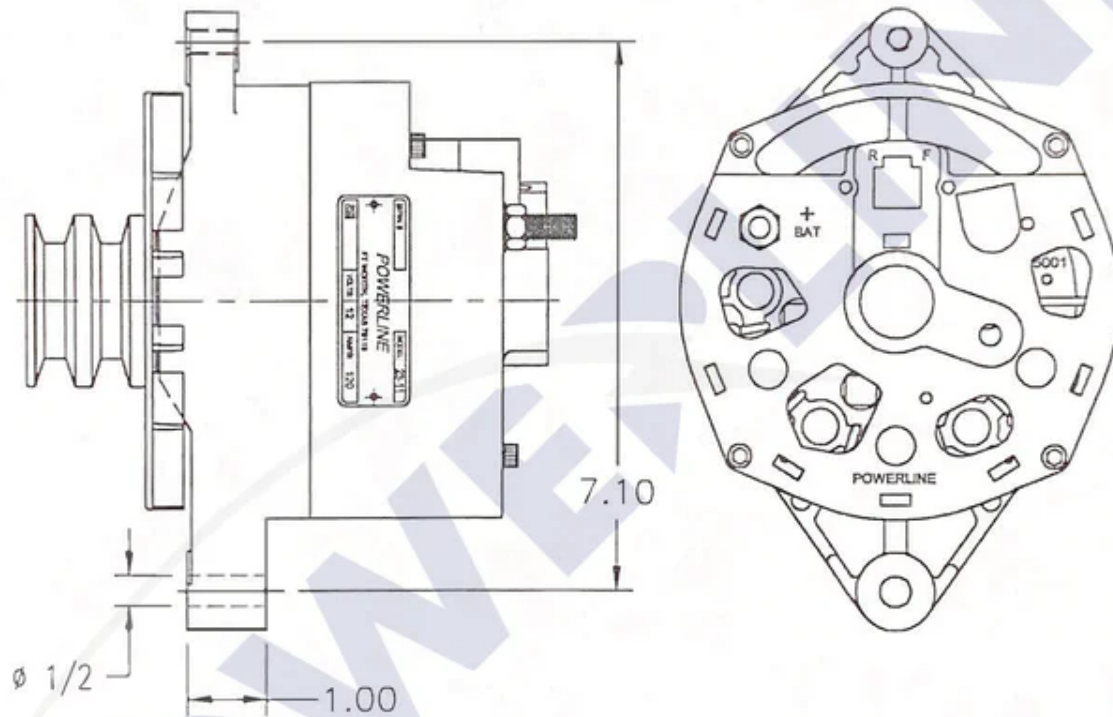


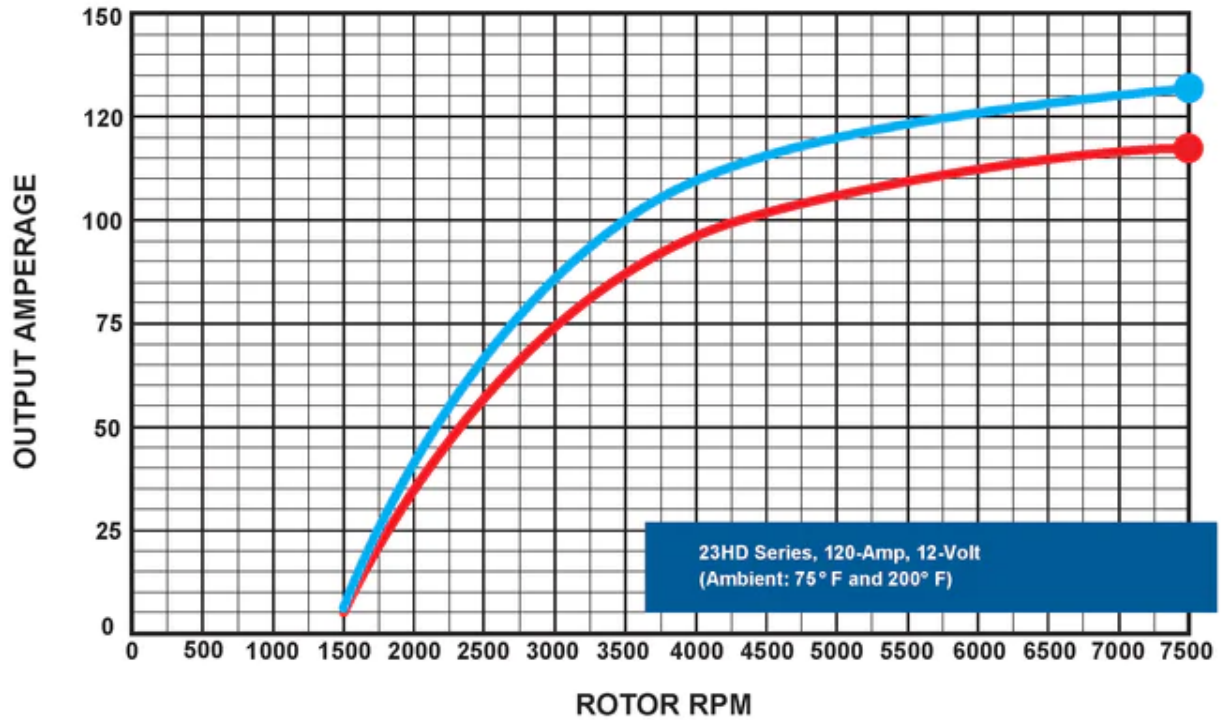
SERIES 23

MODEL: 0235011 (23-11)
120 AMP (MARINE)



MARINE D.E. HOUSING, (1-10)
 REAR HOUSING (2-17)
 CLOCK POSITION: 12:00 O'CLOCK
 MOUNTING CENTER: 7.10 INCHES
 FOOT LENGTH: 1 INCH
 FOOT HOLE DIAMETER: $\varnothing 1/2$
 STATOR: (4-1) (NO SLEEVE)
 CODE: (1) BLACK
 ROTOR: 3-14, 12 VOLT
 FAN: C/W
 FINISH: NATURAL

POWERLINE 23HD Series, 120-Amp Alternator Performance Curve:



7500	132	118
7000	130	116
6500	128	114
6000	126	112
5500	123	109
5000	120	106
4500	116	102
4000	108	97
3500	100	88
3000	86	76
2500	66	57
2000	39	33
1500	6	5
Rotor RPM	AMPS 75° F	AMPS 200° F

