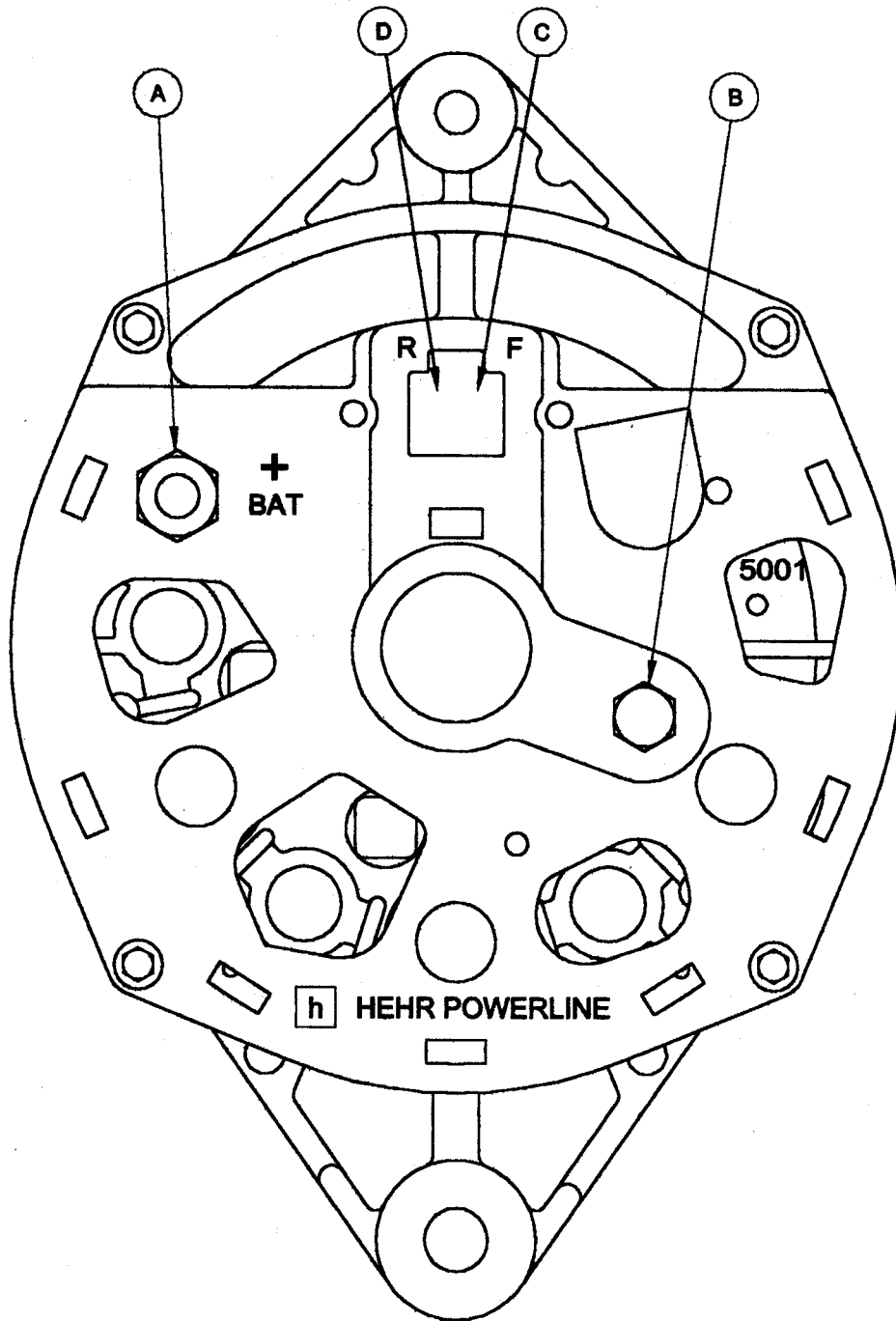


23HD SERIES
(14 VOLT 120 AMP)



TERMINAL IDENTIFICATION

- A. POSITIVE OUTPUT TERMINAL
- B. GROUND
- C. FIELD
- D. RELAY (R) STATOR TERMINAL