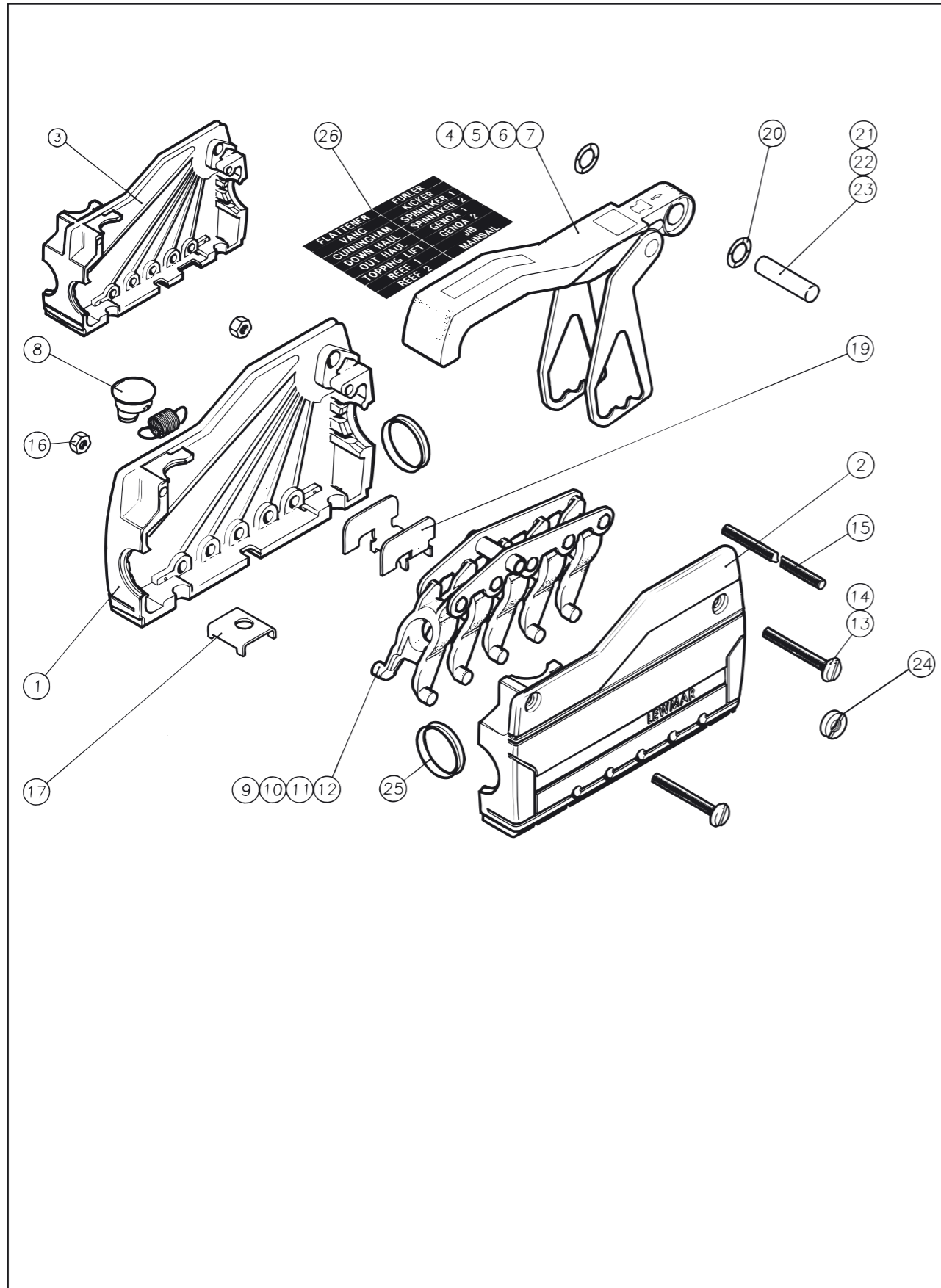


6. ROPE CLUTCHES

6.2 D2 Rope Clutch



6. ROPE CLUTCHES

6.2 D2 Rope Clutch

Item	Description	Part Number	Assembly Number
1	Right Hand Cheek	25000165	
2	Left Hand Cheek	25000164	
3	Middle Cheek	25000167	
4	Handle Assembly 8 – 10		28000185
5	Handle Assembly 10 – 12		
6	Handle Assembly 12 – 14		
7	Handle Assembly 14 – 16		
8	Dome Plug & Spring		29100001
9	Domino Assembly 8 – 10		28000177
10	Domino Assembly 10 – 12		28000184
11	Domino Assembly 12 – 14		28000179
12	Domino Assembly 14 – 16		28000178
13	Cheek Screw Single	B4660	
14	Cheek Screw Double	B4661	
15	Cheek Stud Triple	25000176	
16	M5 Nut	B5007-A4	
17	Spreader Plate	25000154	
19	Reinforcing Plate	25000190	
20	Crinkle Washer	B4402	
21	Handle Pin - Single	25000173	
22	Handle Pin - Double	25000174	
23	Handle Pin - Triple	25000175	
24	Slotted Nut	28000182	
25	Stainless Steel Ferrule	25000156	
26	Label Function Sheet	25002323	