

THE EDSON CORPORATION  
 146 DUCHAINE BLVD.  
 NEW BEDFORD, MA 02745  
 TEL: 508-995-9711

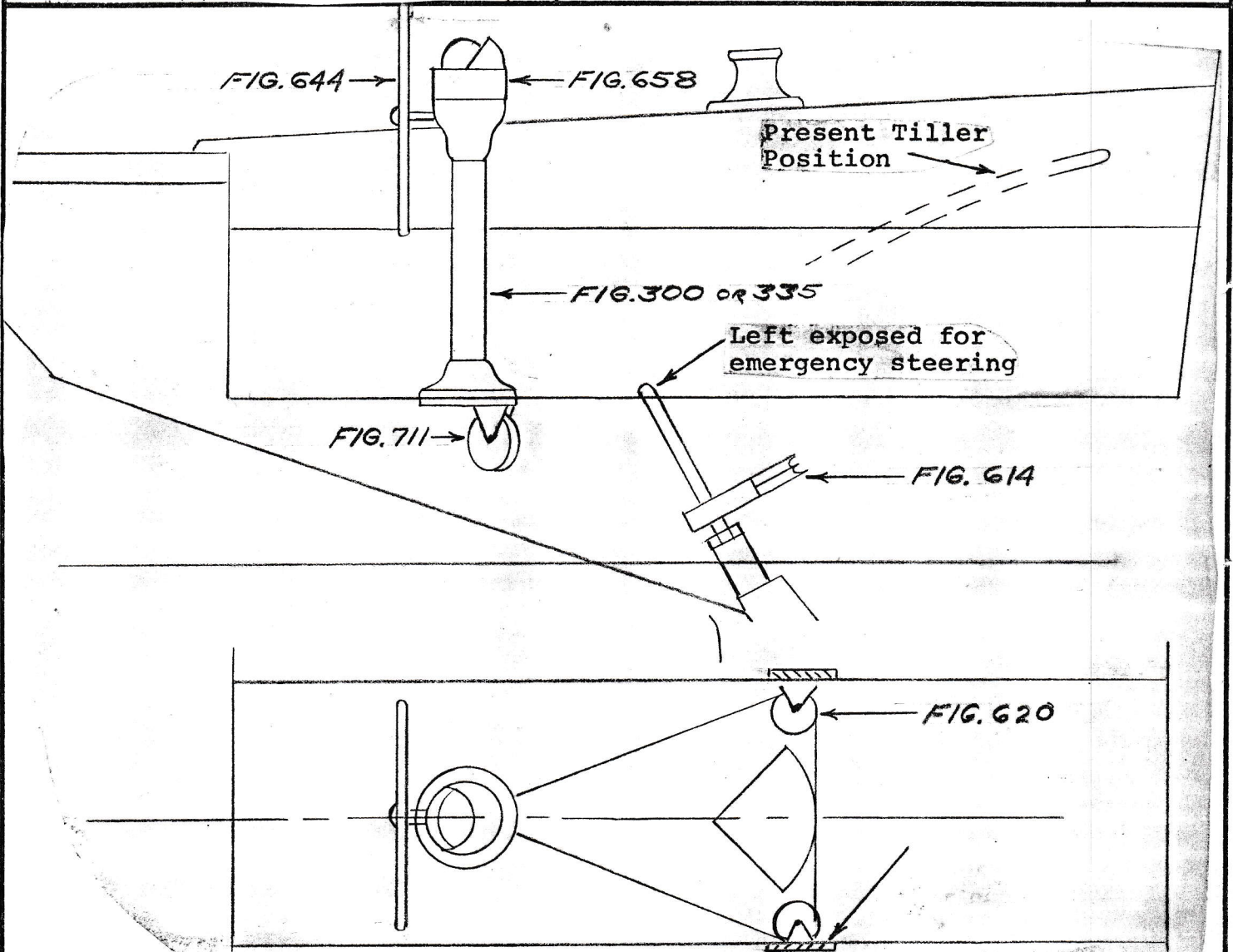
Vessel: Bristol 39/40

Dimensions: 39' LOA

Designer: Little Harbor Boatyard

STEERING  
 DATA  
 SHEET

S-228-2



- |               |        |                                  |
|---------------|--------|----------------------------------|
| 1 - Fig. 335  | 5"     | Edson Pedestal Steerer           |
| 1 - Fig. 644S | 24"    | Stainless Steel Destroyer Wheel  |
| 1 - Fig. 775  | 2B2B9  | Chain and Wire Rope Assembly     |
| 1 - Fig. 711  | 6"     | Swivel Idler                     |
| 2 - Fig. 620  | 6"     | Upright Single Sheave Assemblies |
| 1 - Fig. 614  | 10"    | Manganese Bronze Quadrant        |
| 2 - Fig. 618  | #1     | Quadrant Takeup Eyes             |
| 4 - Fig. 646A | 1/2x4" | Pedestal Mounting Bolts          |
| 4 - Fig. 665  | 3/16"  | Wire Rope Clamps                 |

JIG-DRILLED OPTIONS

- |                |     |                                    |
|----------------|-----|------------------------------------|
| 1 - Fig. 662AC | 6"  | Pedestal Guard                     |
| 1 - Fig. 722AC | 67  | Instrument Housing                 |
| 1 - Fig. 717T  | 820 | Folding Teak Table                 |
| 1 - Fig. 727AC | 6"  | Mechanical Clutch/Throttle Control |