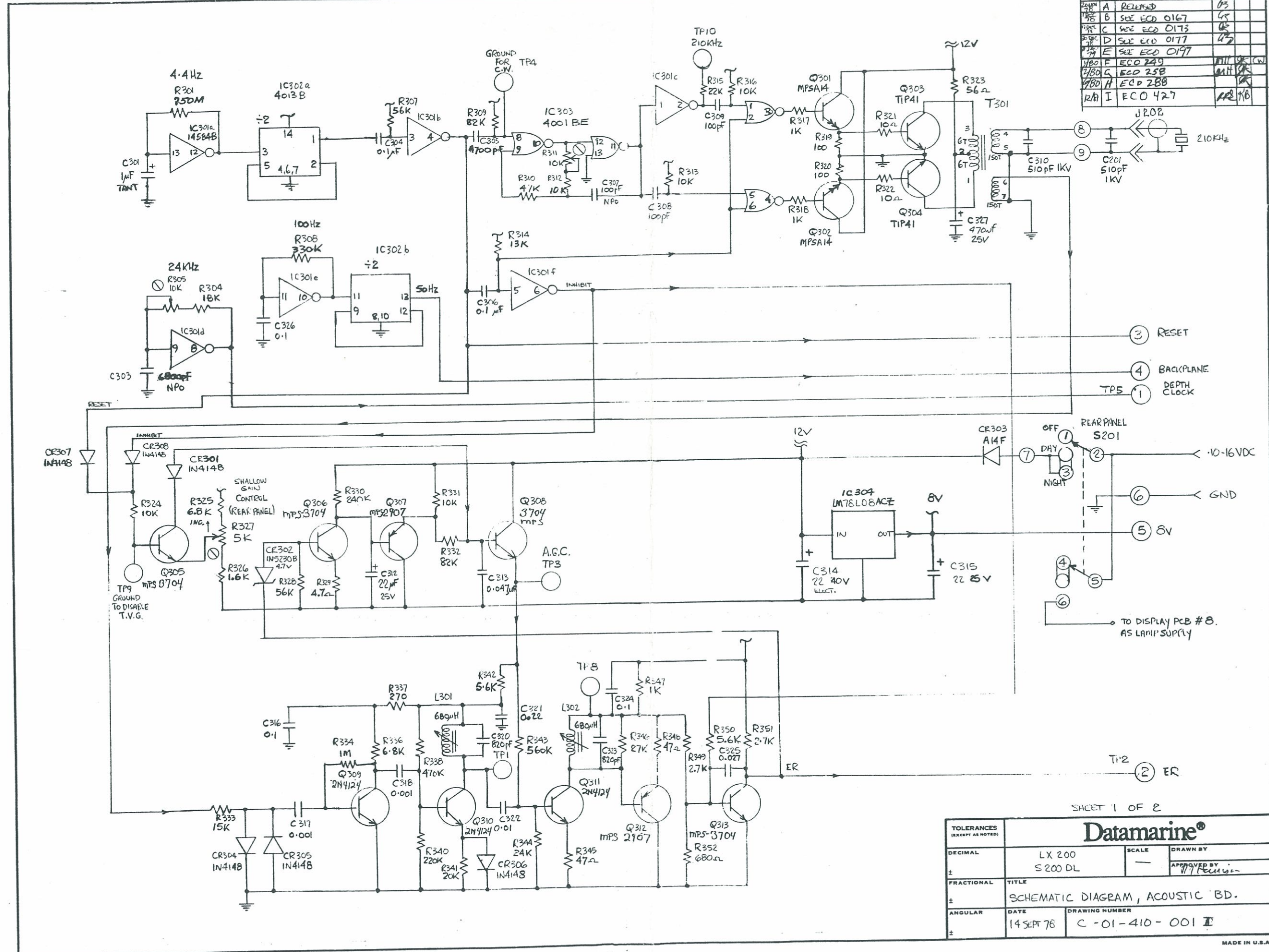


DATE	BY	REVISION RECORD	AUTH.	DR.	CK.
REV A		RELEASED		DB	
REV B		SEE ECO 0167		GT	
REV C		SEE ECO 0173		GT	
REV D		SEE ECO 0177		GT	
REV E		SEE ECO 0197		GT	
REV F		ECO 249		MTL	DLW
REV G		ECO 258		MTL	DLW
REV H		ECO 288		MTL	DLW
REV I		ECO 427		MTL	DLW



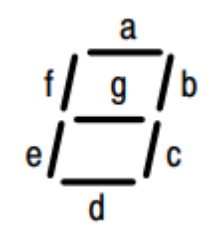
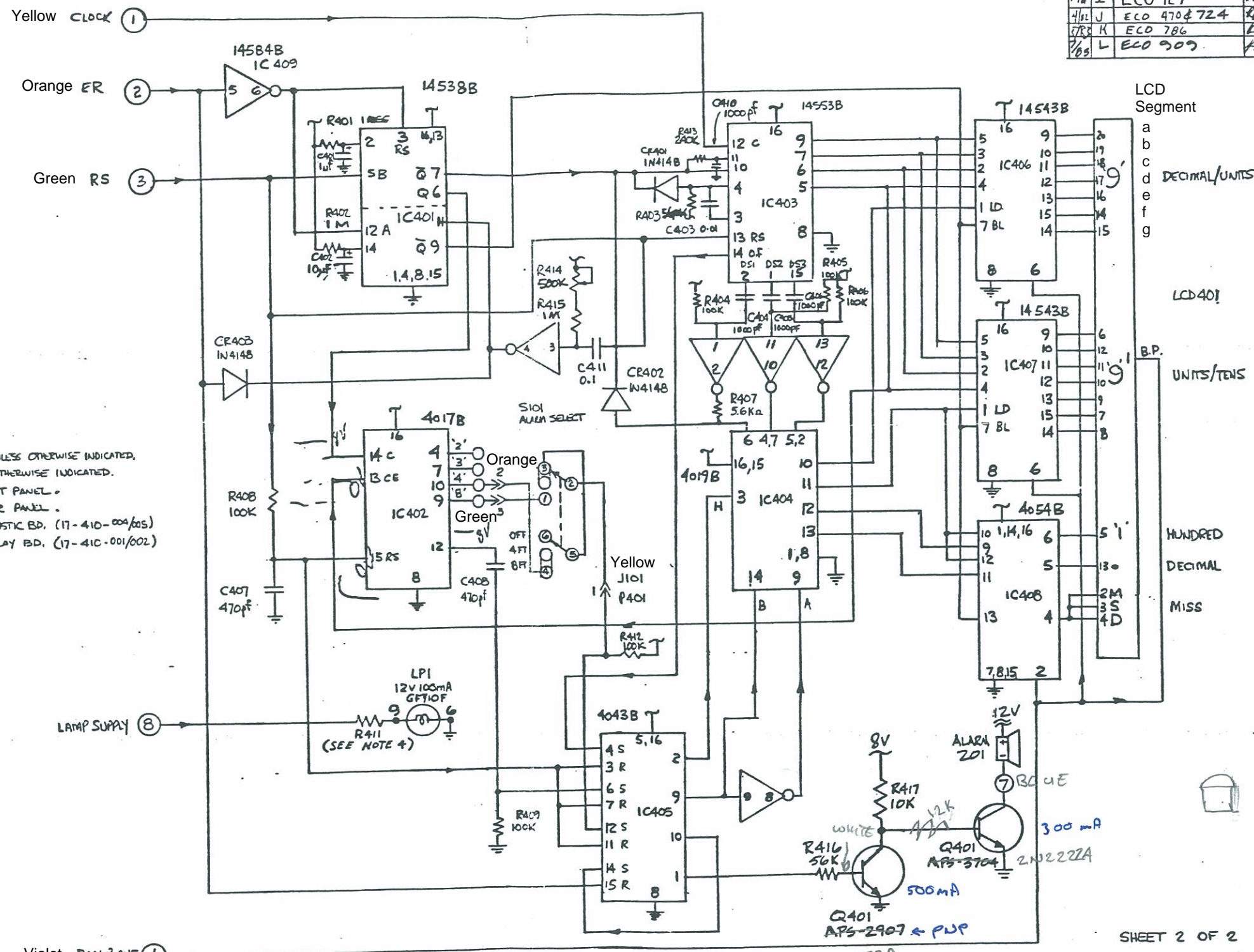
SHEET 1 OF 2

TOLERANCES (EXCEPT AS NOTED)			
DECIMAL	LX 200	SCALE	DRAWN BY
±	S 200 DL	—	APPROVED BY
FRACTIONAL	TITLE		
±	SCHEMATIC DIAGRAM, ACOUSTIC BD.		
ANGULAR	DATE	DRAWING NUMBER	
±	14 SEPT 78	C-01-410-001 I	

**Datamarine®**

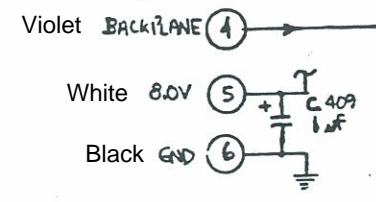
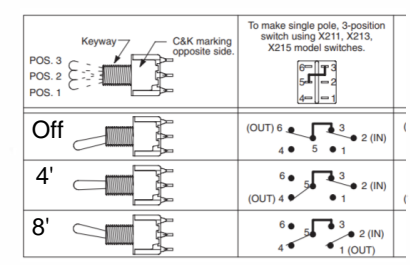
MADE IN U.S.A.

D	ECD 017	45
E	SEE E70 0197	47
F	ECD 249	48
G	ECD 258	49
H	ECD 288	50
I	ECD 427	51
J	ECD 470 & 724	52
K	ECD 786	53
L	ECD 909	54



NOTES:

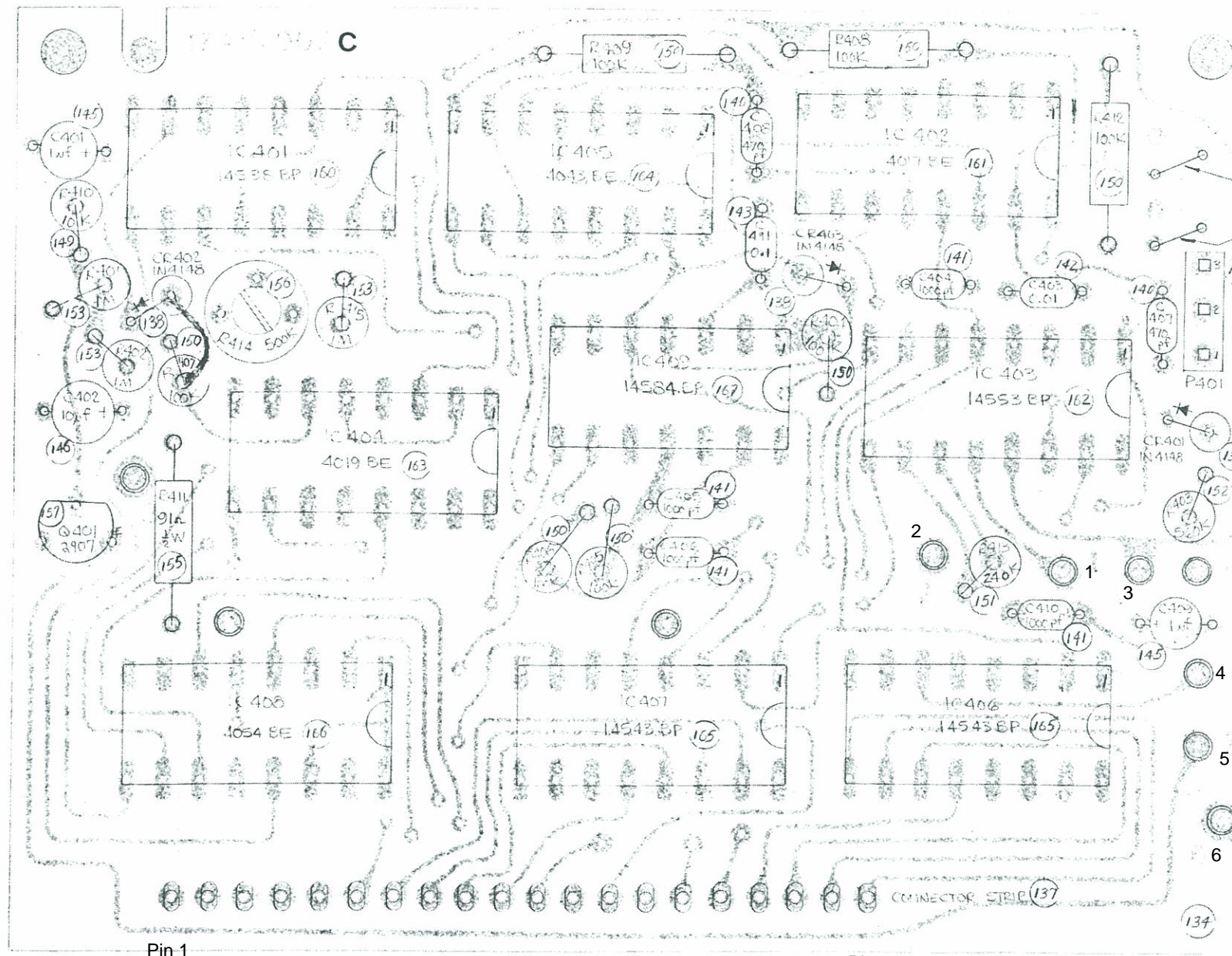
1. ALL RESISTORS IN OHMS, 1/4 WATT, 5% UNLESS OTHERWISE INDICATED.
2. ALL CAPACITORS IN MICROFARADS UNLESS OTHERWISE INDICATED.
3. "100" SERIES COMPONENTS LOCATED ON FRONT PANEL -  
 "200" SERIES COMPONENTS LOCATED ON REAR PANEL -  
 "300" SERIES COMPONENTS LOCATED ON ACOUSTIC BD. (17-410-004/005)  
 "400" SERIES COMPONENTS LOCATED ON DISPLAY BD. (17-410-001/002)
4. R+II VALUES  
 LX200-91/L, 1/2 W  
 S200DL-4TL, 1/2 W



SHEET 2 OF 2

TOLERANCES (EXCEPT AS NOTED)		Datamatrix	
DECIMAL	±	LX 200, LY 201	SCALE
FRACTIONAL	±	S 200 DL	DRAWN BY H.C.
ANGULAR	±	DATE 8-1-78	APPROVED BY J.H. HEDGEMAN
		TITLE	DRAWING NUMBER
		SCHMATIC DIAGRAM, DISPLAY BD.	C-01-410-001 3L A

DATE	SYN	REVISION RECORD	APP	CHK
	A	RELEASED		
	B	ERR CORR		
	C	PARTS CHANGE SEE ECC #183		
	D	SEE ECC #177		
	E	REDESIGNED & SEE ECC #185		
19/11	F	ECC # 487	REL	48

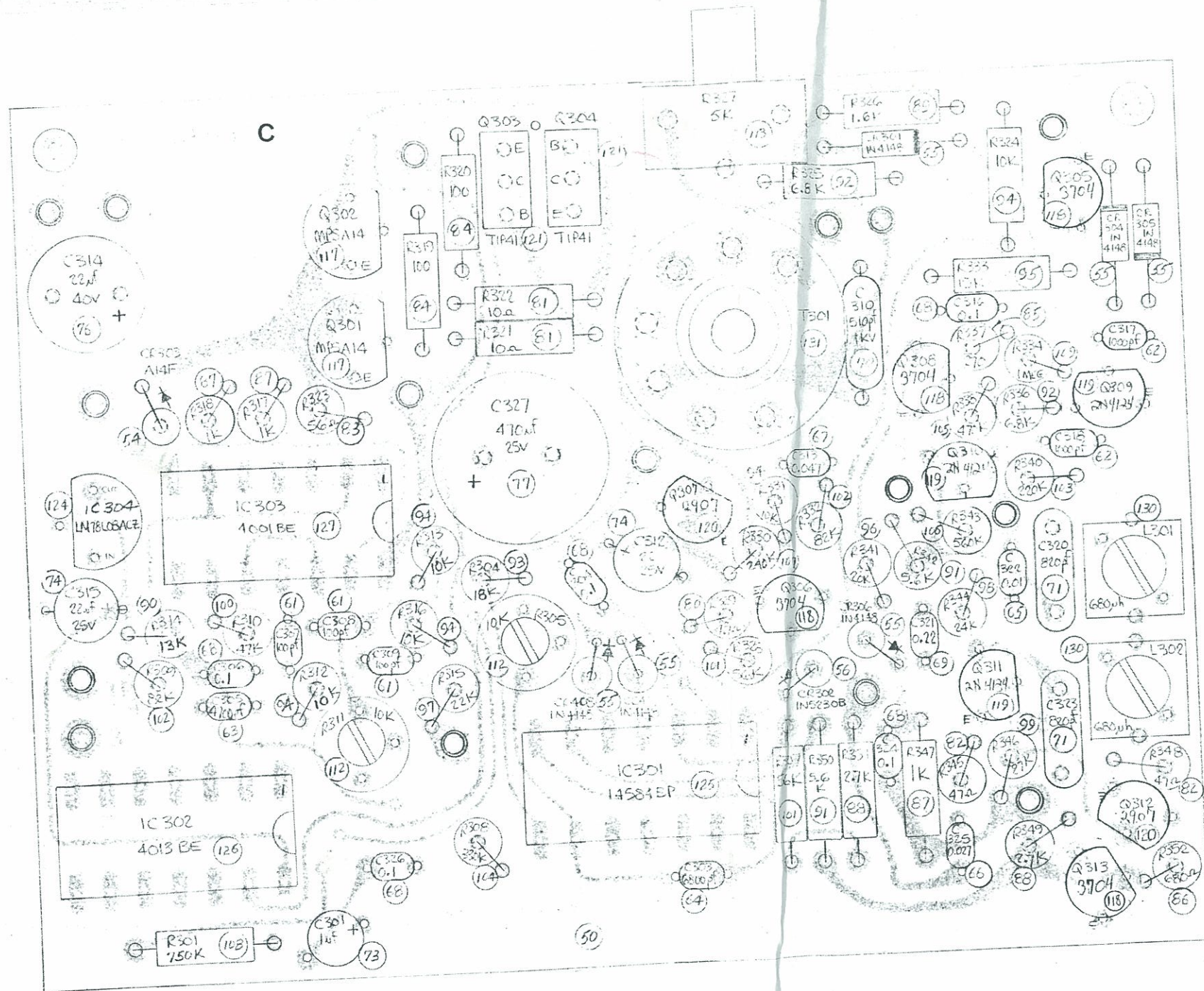


24 AWG JUMPERS

NOTES:

1. ○ INDICATES .SEQ.
2. ⊙ SOLDER TERMINAL - SEQ 135 QTY 10

Datamatrix			
LX 200	SCALE	DRAWN BY	
S 200 DL	4X	APPROVED BY	
TITLE			
PARTS LOCATOR, DISPLAY BD., LEVEL 4B			
DATE	DRAWING NUMBER		
19 NOV 78	C-05-410-001F		



DATE	REV	DESCRIPTION	BY	CHK
	A	RELEASED		
	B	EXCHANGE		
	C	SEE ECO 247		
	D	SEE ECO 273		
	E	SEE ECO 277		
1/80	F	ECO 249		
2/80	G	ECO 258		
4/80	H	ECO 280		
	I	REWORKED ECO 305		
1/81	K	ECO 407		

- NOTES:
1. INDICATES SEQ
  2. SOLDER TERMINAL SEQ 51 QTY 16

Datamatics			
LX200 S2M DL	SCALE 4X	DRAWN BY M. H. HARRISON	
TITLE ACOUSTIC BD ASSY			
DATE 21 SEPT 78	DRAWING NUMBER C-05-410-002 K		

527619