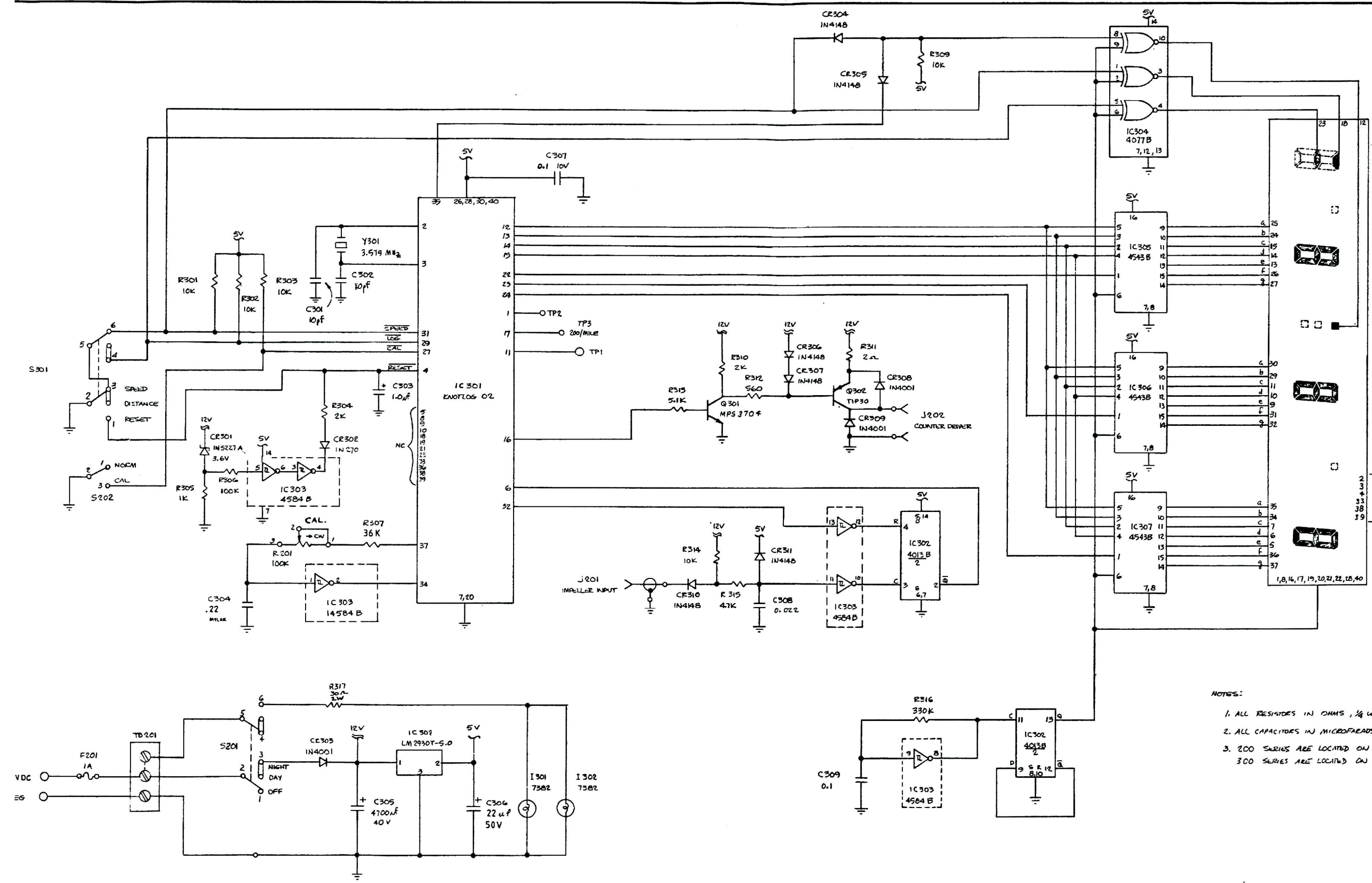


REV	DESCRIPTION	DATE	BY	CHK
A	RELEASED	1/77	RS	
B	ECO 358	1/77	RS	
C	ECO 377	1/77	RS	
D	ECO 391	1/77	RS	



- NOTES:
1. ALL RESISTORS IN OHMS, 1/4 WATT, UNLESS NOTED.
 2. ALL CAPACITORS IN MICROFARADS UNLESS NOTED.
 3. 200 SERIES ARE LOCATED ON EAR PANEL.
300 SERIES ARE LOCATED ON P.C. BOARD

TOLERANCES UNLESS NOTED		Datamarine®	
DECIMAL	MODEL S100KL	SCALE	DRAWN BY J.F.H. 1/77
FRACTIONAL	TITLE	APPROVED BY	
	SCHMATIC DIAGRAM		

