

# MANUAL

## 52ST – 52ST FS

Version 2.4 - 2.5



*Sail handling by*

 **ANDERSEN**  
Stainless Steel Winches

## **CONGRATULATIONS**

You have purchased an ANDERSEN premium quality winch. This product is a result of many years of development and experience in producing sailing winches. This winch gives you a high degree of functionality and many years of safe and trouble free sail handling.

## **TILLYKKE**

De har købt et ANDERSEN spil af høj kvalitet. Dette produkt er et resultat af mange års udviklingsarbejde samt erfaring indenfor produktion af spil til sejlbåde. Med dette spil får De funktionalisme på højt plan med henblik på at yde Dem en behagelig samt sikker sejlads.

## **Sehr geehrter ANDERSEN kunde,**

Wir beglückwünschen Sie zu dem kauf einer ANDERSEN Winde, ein Produkt höchster Qualität, daß ein Resultat jahrelanger Entwicklungsarbeit und Erfahrung in der Produktion von Winden für Segelboote ist. Die funktionalität dieser Winde ermöglicht Ihnen viele Jahre lang eine handliche und sichere Segelführung.

## **FÉLICITATIONS**

Vous venez d'acheter un winch ANDERSEN de grande qualité. Ce produit est le résultat de longues années d'expérience et de développement dans la production des winches pour voilier. Ce winch vous apportera de nombreuses années de fonctionnement sécurisant, pour une voile facile.

Frode Andersen  
Managing Director

# GENERAL INFORMATION

Due to the best choice of materials and high precision in manufacturing, we recommend, for normal use, only to dismantle, clean and lubricate the winch once every second year. Under extensive use, such as racing, charter or blue water sailing, we recommend to lubricate the winch once every year.

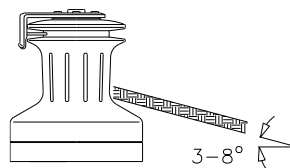
We strongly recommend always using ANDERSEN WINCH GREASE, when lubricating your winch. ANDERSEN WINCH GREASE is a high quality silicone/Teflon grease product. Most other types of grease, including "marine grease" are not suitable for lubrication of winches. Non-suitable grease products can cause malfunction, which could result in fatal injuries for the user and others.

Pawl arm springs should be replaced every second year. Spare arm springs and other parts that may be required are included in the ANDERSEN Service Kit. Please refer to the service instruction for the Service Kit suitable for the specific winch.

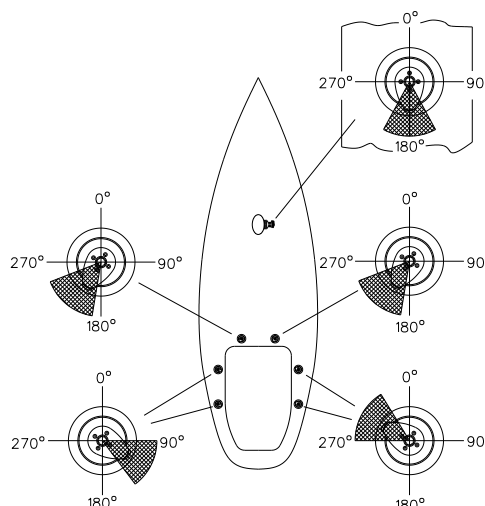
When the winch handle is not in use but the winch is under load, we recommend, from a safety point of view, to remove the winch handle from the winch.

To ensure correct function of the self-tailing unit, only use recommended line sizes. When using the winch with mooring lines DO NOT use the self-tailing function and be sure that the mooring line is not in contact with the self-tailing arm.

To ensure the best possible functioning of the winch, we recommend that the winch is placed in accordance with the line entry shown below.



Be also aware that self-tailing arm is positioned correctly. We recommend having the self-tailing arm positioned within the shaded area. On 12ST and 28ST the position of the self-tailing arm is fixed, making it very important to establish the proper location of the holes prior to drilling these in the deck. On all other models, the self-tailing arm can be placed in several different positions after having installed the winch.



# INSTALLATION

52ST ver. 2.5 – 52ST FS ver. 2.5

Installing the winch is easy, if you follow these instructions. The numbers in ( ) refer to the position numbers in the parts list.

Tools required for the installation.

Allen key (4 mm).

Allen Key (5 mm).

Allen key (6 mm.).

Screwdriver (large).

Ø8.5 mm. drill.

6 x M8 countersunk head screws and corresponding nuts (length depending on deck thickness).

6 x large washers or backing plate.

Ring spanner to match nuts.

Bedding compound

1. Drill bolt holes Ø8,5mm (11/32") using the winch template. Be sure that no dust comes in contact with the winch, while drilling.
2. Remove screws (1).
3. Remove self-tailing arm (2) and drum (5).
4. Apply a light coat of bedding compound, ensuring that each bolthole is bedded. Keep drain grooves clear.
5. Fasten lower base (22) and cover (23) into place using 6 pcs. M8 (5/16") countersunk head screws. Use large washers or a backing plate.
6. Assemble in reverse order.
7. Check that the winch is functioning correctly:  
The drum should operate smoothly, by turning the drum clockwise by hand.  
The drum must not turn when trying to turn the drum anti clockwise.  
While turning the winch handle clockwise the drum should turn slowly.  
While turning the winch handle anti clockwise the drum should turn fast.

# SERVICE INSTRUCTION

52ST ver. 2.5 – 52ST FS ver. 2.5

Tools required for service.

Allen key (4 mm)

Allen key (5 mm)

Screwdriver (large).

Screwdriver (small).

Winch handle.

ANDERSEN winch grease

1. Remove screws (1).
2. Remove self-tailing arm (2) and drum (5).
3. Remove drive shaft (6)
4. Clean the balls (8, 9) with a rag. DO NOT remove the balls and the small retaining ring (7) above the balls.
5. Remove screws (10).
6. Remove upper base (13).
7. Remove roller bearing (12).
8. Remove screw (15), shaft (19) and gear wheel (20).
9. Remove shafts (16)
10. Remove and dismantle the two gear units (17, 18).
11. Clean all parts in benzine. Remember to clean the gear teeth, roller bearing track and all ball tracks inside the drum (5).
12. Assemble in reverse order. During assembly, by the use of a small soft brush lightly grease all gear teeth, drive shaft, roller bearing, shafts, balls, pawls, springs and composite bushings. Pawls should only be lubricated with a very thin film of ANDERSEN WINCH GREASE. It is very important that pawls can move freely.

**IMPORTANT:** When assembling the winch, check the function of each pawl by pushing the pawl against the spring. The pawls should smoothly and automatically return to their normal position, where the pawls engage with the teeth. If the pawls do not function correctly, clean and lightly lubricate the pawls and gears again and replace the springs where necessary.

Malfunctioning pawls may lead to unexpected failure of a loaded winch resulting in material damage or fatal personal injury.

Service Kit No 8. (art. No. 710008) contains spare parts for this winch.

**For current World Wide Distributor list please see:  
[www.andersenwinches.com](http://www.andersenwinches.com)**



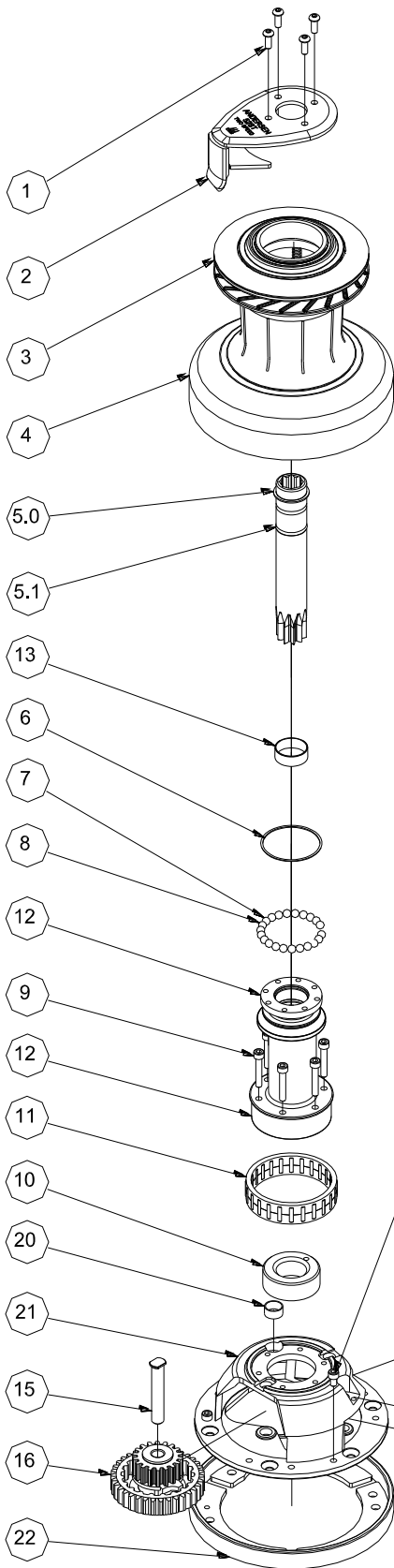
# PARTS LIST

52ST ver. 2.5 – 52ST FS ver. 2.5

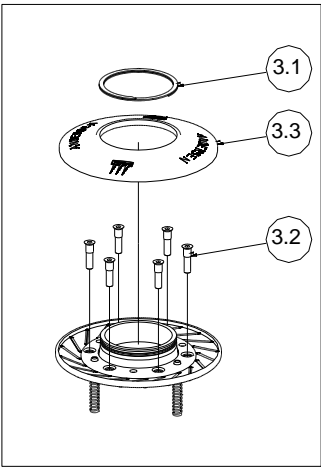
POS.	QTY.	DESCRIPTION	PART. NO.
1.	4	Screw	ISO 7380-A4-M6x16
2.	1	Self-tailing arm	594100
3.	1	Circlip	591000U
3.	1	Self-tailing top	<i>Model ST</i> 540405
3.	1	Self-tailing top	<i>Model ST FS</i> 540411
3.1	1	Circlip	591000U
3.2	6	Screws	585160
3.3	1	Disc	<i>Model ST (only for 540405)</i> 526902
3.4	1	Top Ring	<i>Model ST FS (only for 540411)</i> 521305
3.5	1	O-ring	<i>Model ST FS (only for 540411)</i> RD100431
4.	1	Drum Complete	734401
5.	1	Drive shaft complete	526100
5.1	1	O-Ring	RD100302
6.	1	Ring	526600
7.	11	Ball, Stainless	526301
8.	12	Ball, POM	526302
9.	6	Screw	DIN912-A4-M6x35
10.	1	Bushing	526201
11.	1	Roller bearing complete	525905
12.	1	Upper Base	742303
13.	1	Bushing	<i>(Not removable)</i> 716503
14.	1	Screw	DIN912-A4-M6x10
14.	3	Screw (3 pcs. For Cover)	<i>Model ST FS</i> DIN912-A4-M6x10
15.	2	Shaft	526810
16.	1	Large Ratchet Gear complete	589110
16.1	1	Ratchet Gear wheel	525300
16.2	1	Pawl Gear wheel	525400
16.3	2	Pawl	533400
16.4	2	Spring	533500
16.5	1	Bushing	525500
16.6	2	Bushing	525600
17.	1	Small Ratchet Gear complete	589500
17.1	1	Ratchet Gear wheel	525200
17.2	1	Pawl Gear wheel	525102
17.3	2	Pawl	533400
17.4	2	Spring	533500
17.5	1	Disc	524300
17.6	2	Bushing	525600
18.	1	Shaft	583500
19.	1	Gearwheel complete	583404
19.1	1	Bushing	<i>(Not removable)</i> 586200
19.2	1	Gearwheel	583403
20.	1	Bushing	RD877000
21.	1	Lower Base	750201
22.	1	Basecover	<i>Model ST</i> 734300
22.	1	Basecover	<i>Model STE/STH</i> 734301
22.	1	Basecover	<i>Model ST FS</i> 734320
22.	1	Basecover	<i>Model STE</i> 734330

# EXPLODED VIEW

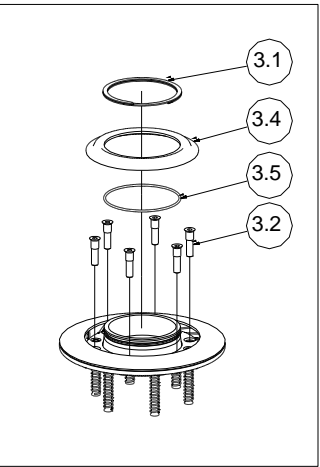
52ST ver. 2.5 – 52ST FS ver. 2.5



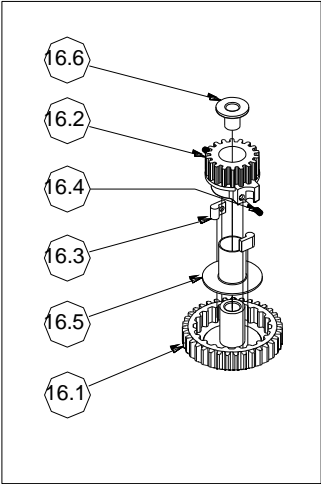
POS. 3 540405



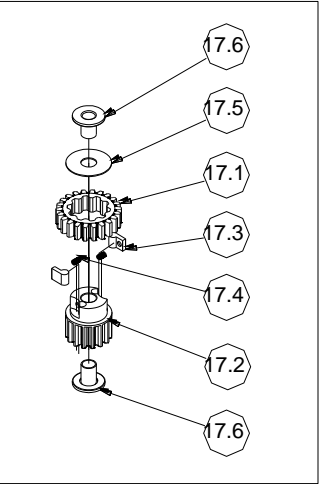
POS. 3 540411



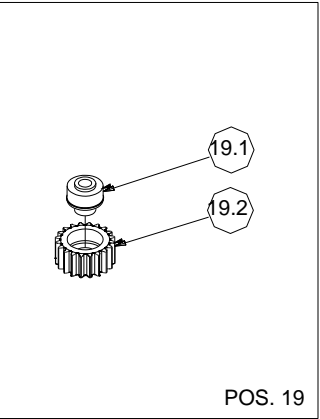
POS. 16 589110



POS. 17 589500



POS. 19 583404



POS. 19

# LIMITED WARRANTY

- 1.1 ANDERSEN issue a three-year warranty on all their products covering manufacturing and material defects on condition that the products are used in normal fashion. The warranty shall apply for three years from the moment ANDERSEN sell the product concerned (to the first buyer).
- 1.2 Within the period of the warranty, and in accordance with the terms of the warranty, ANDERSEN undertake to replace or repair all defective components which have been used in normal fashion.
- 1.3 However, the warranty is subject to the limitations and exceptions outlined below.
2. **Conditions and limitations:**
  - 2.1 ANDERSEN's liability shall be limited to repair or replacement of components which are defective owing to manufacturing or material defects.
  - 2.2 ANDERSEN assume no other liability than this, not even liability for indirect losses caused by defect concerned, including operating losses, loss of profits, or damage caused to real property or moveable property occurring while the product concerned is in the possession of the Buyer.
  - 2.3 The Buyer alone shall bear the responsibility and risk involved as to whether the product is suitable for the application intended. ANDERSEN assumes no liability in this connection.
  - 2.4 ANDERSEN assume no liability for defects which occur due to use of their products for purposes for which they are not intended, or for defects which occur owing to incorrect installation, corrosion, ultraviolet degradation, lack of maintenance, or any alteration or repair of the product carried out incorrectly by the Buyer. Finally, ANDERSEN assumes no liability for normal wear and tear, or for depreciation of value.
  - 2.5 Nor do ANDERSEN assume any liability for service carried out by anyone other than authorised representatives of ANDERSEN, unless such service is carried out pursuant to guidelines laid down by ANDERSEN and in accordance with good craftsmanship.
  - 2.6 The buyer shall inform ANDERSEN in writing of any defects with no undue delay once defects have been registered. Products being dealt with under the warranty shall be returned to ANDERSEN for repair unless any other agreement has been reached in writing.
  - 2.7 ANDERSEN shall not cover costs incurred by the Buyer in connection with the transport or wages involved in a warranty case. Such costs shall be met by the Buyer in full.
3. **Exceptions:**
  - 3.1 The warranty is only valid for one year in respect of components bought for the products concerned, such as electric motors, electric equipment, hydraulic pumps, motors and valves.
  - 3.2 ANDERSEN assume no liability for consequential damage of ships, equipment, property or people by defects in ANDERSEN's products.
  - 3.3 The company's products are subject to continuous development, and consequently ANDERSEN reserve the right to change designs and specifications without prior notice.