

Cavity Plugs

STANDARD CAVITY PLUGS

Standard HydraForce cavity plugs seal all access to a cavity.

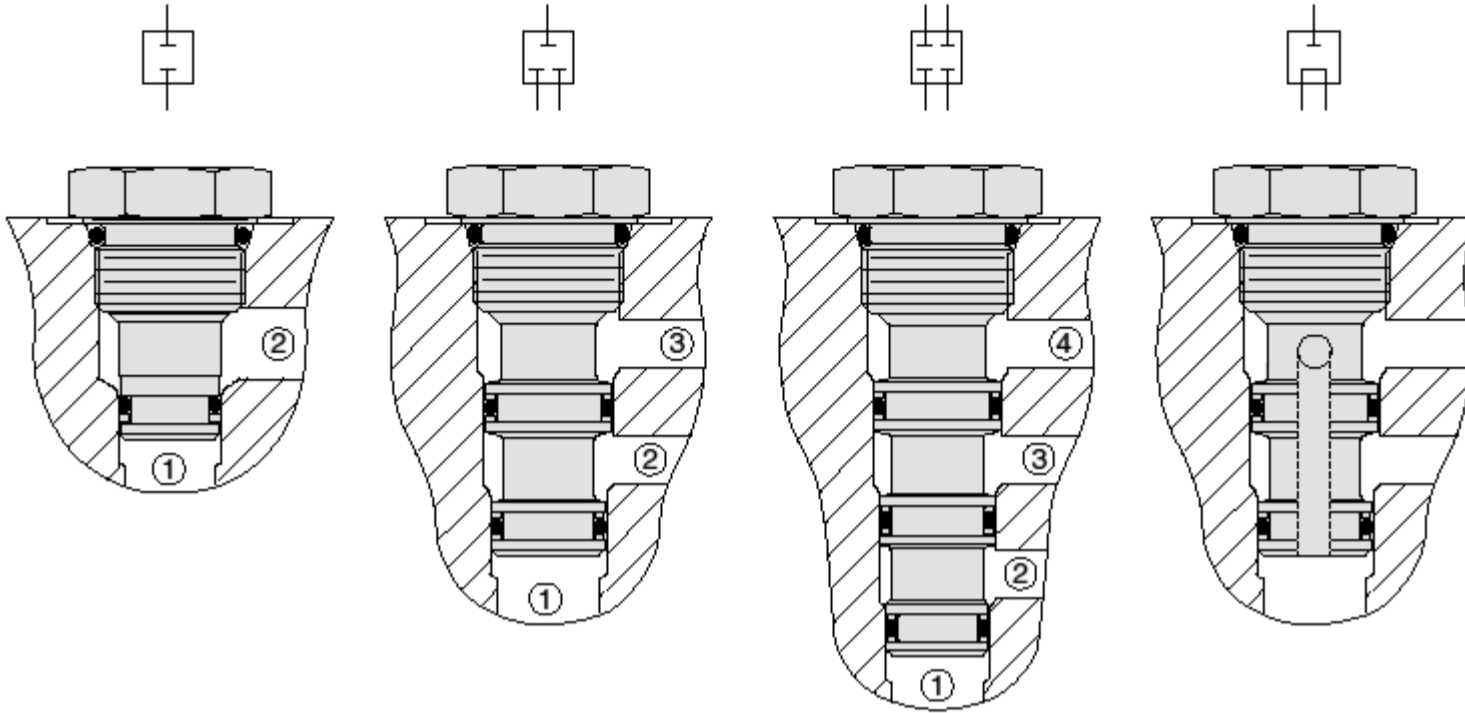
2-Way Cavity CPXX-20-X

3-Way Cavity CPXX-30-X

4-Way Cavity CPXX-40-X

OPTIONAL PLUGS

Special-purpose plugs are available; See Ordering Table.



CP

Cavity Thread Size

3/4-16	08
7/8-14	10
1-1/16-12	12
1-5/16-12	16
1-5/8-12	20
M42 x 2	42

Cavity Type

Two-Way	2
Three-Way	3
Three-Way Short	S3
Four-Way	4
**Five-Way	5
**Six-Way	6

** Consult factory

Seals

N	Buna N (Std.)
V	Fluorocarbon
P	Polyurethane

Design Type (X = Blocked; O = Open)

	2-Ways		3-Ways			4-Ways			
	1	2	1	2	3	1	2	3	4
0	X	X	X	X	X	X	X	X	X
A			O	O	X	O	O	O	X
B†			O	X	O	O	O	X	O
C			X	O	O	O	X	O	O
D						X	O	O	O
E						O	O	X	X
F						O	X	O	X
G						X	O	O	X
H						O	X	X	O
I						X	O	X	O
J						X	X	O	O
K	O	O							
L*						O	O	O	O

† For CP08-4B, use CP08-3B

* Open 1 to 2; Open 3 to 4

